



*prime*

BLACKSHAPE 



## VARIANTS

### WEIGHT

MTOM  
Maximum baggage Weight

### POWEPLANT

Engine  
Horsepower  
Cylinders  
TBO  
Propeller

### PERFORMANCE

Takeoff Distance to 50ft @MTOW  
Rate of Climb @ ISA-Sea Level, MTOW  
Stall speed with full flaps @MTOW  
Maximum Cruise Speed  
Never Exceed Speed  
Landing Distance to 50ft  
Load Factor  
Maximum Demonstrated Crosswind  
Range\* @ Best Economy (nm)  
Range\* @ Best Power (nm)

## Bk100

472.5 up to 600 Kg  
20 Kg

Rotax 912ULS3  
100 hp  
4  
2000 h 15 years  
MTV-33-1A variable pitch

300 up to 450 m  
up to 1100 ft/min  
35 up to 45 KCAS  
260 Km/h  
267 Km/h  
350 m  
+4 / -2 g  
15 kts / 28 Km/h  
380 Short Range / 680 Long Range  
350 Short Range / 640 Long Range

## Bk100 T

560 up to 600 Kg  
20 Kg

Rotax 914UL  
115 hp  
4  
2000 h 15 years  
MTV-33-1A variable pitch

280 up to 420 m  
up to 1450 ft/min  
43 up to 45 KCAS  
280 Km/h  
305 Km/h  
350 m  
+4 / -2 g  
15 kts / 28 Km/h  
650 Long Range  
580 Long Range

## Bk100 iS

up to 620 Kg  
20 Kg

Rotax 915 iS  
141 hp  
4  
1200 h or 15 years  
MTV-34-1A

300 m  
1700 ft/min  
45 KCAS  
300 Km/h  
305 Km/h  
350 m  
+4 / -2 g  
15 kts / 28 Km/h  
500 Long Range  
450 Long Range

## AVIONICS BASELINE

- EFIS Display 10": Skyview SV-HDX1100 Touch, Dynon
- COM Radio: Trig TY91L SV-COM X83 8.33 KHz Spacing, Dynon
- Intercom: SV-INTERCOM-2S, Dynon
- Mode S Transponder: TY-91 SV-XPDR-261, Dynon
- Backup Instruments: Analog Compass / Anemometer / Altimeter

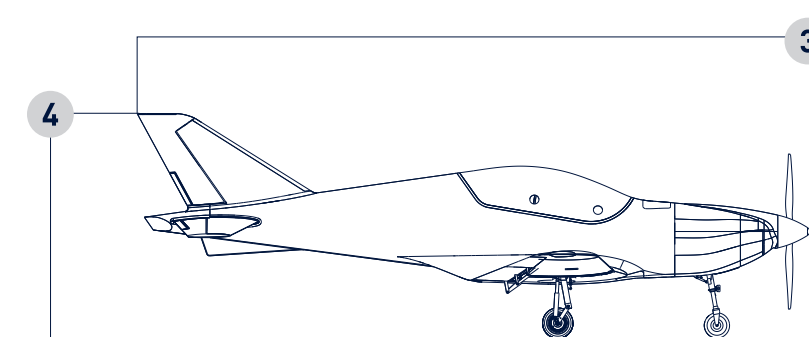
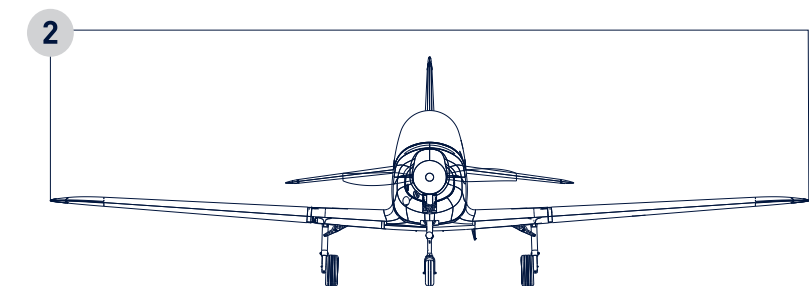
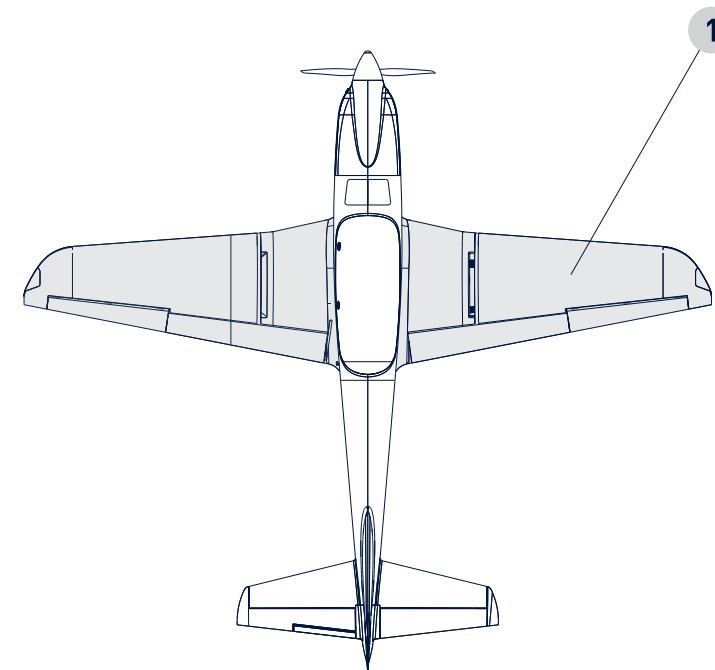
## AVIONICS OPTIONALS

- Autopilot: Servo 2 AXIS SV42, Dynon
- Digital Backup Instruments: AVMAP ULTRA
- ELT: E04 406 MHz, ACK Technologies
- EFIS Backseat: Skyview SV-HDX800, Dynon
- ADS-B: SV-ADSB-472 IN / OUT
- LDG & Flaps Backseat Control Panel
- Garmin G3X Touch (BK100 iS only)

## AIRFRAME AND SYSTEMS

- Structure: pre-preg carbon fibre
- Fuel Tanks: Anti Blast 2x50 Lt
- Landing Gear: Tricycle Retractable Electrically Actuated
- Ballistic Recovery System: Junkers

DIMENSIONS	Bk 100, Bk 100 T, Bk 100 iS
1 Wing Area	9.51 m <sup>2</sup>
2 Wing Span	7.94 m
3 Overall Length	7.178 m
4 Overall Height	2.41 m







*prime*



[blackshapeaircraft.com](http://blackshapeaircraft.com)

BLACKSHAPE S.P.A  
Strada Statale 16 KM 841 +900 Z.I.  
70043 Monopoli (BARI)

E: [sales@blackshapeaircraft.com](mailto:sales@blackshapeaircraft.com)

T: +39 080 246 20 19

**BLACKSHAPE** 